

# REMOTE AIR COOLED CONDENSERS

## MANUFACTURING FEATURES

### Coils

Standard coils are manufactured from copper tube and aluminium fins, carefully degreased and tested in water at an air pressure of 30 bars.

### Casing

The casing is made from anticorrosion aluminium sheet. Its embossed finish perfectly fits any ambient.

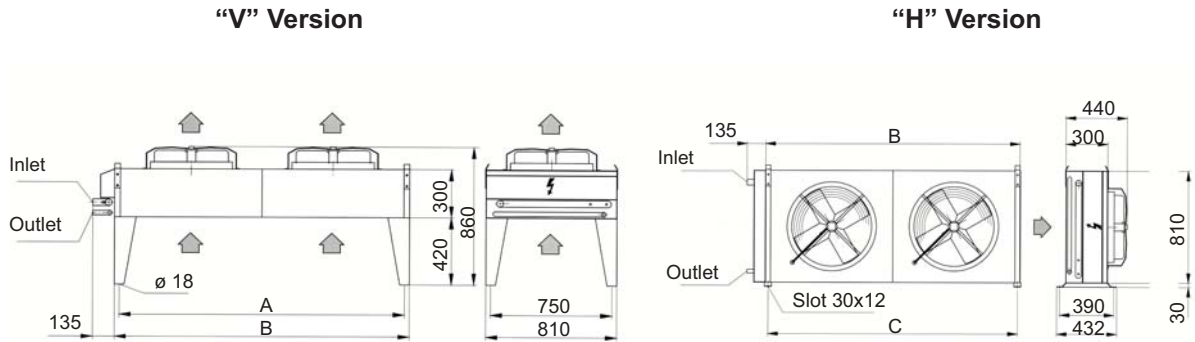
All models are equipped with removable protection covers on both the return bend and header sides.

### Fan motors

The new standard type fan motors are three-phase with 400V/3/50 Hz feed, double speed rotation.

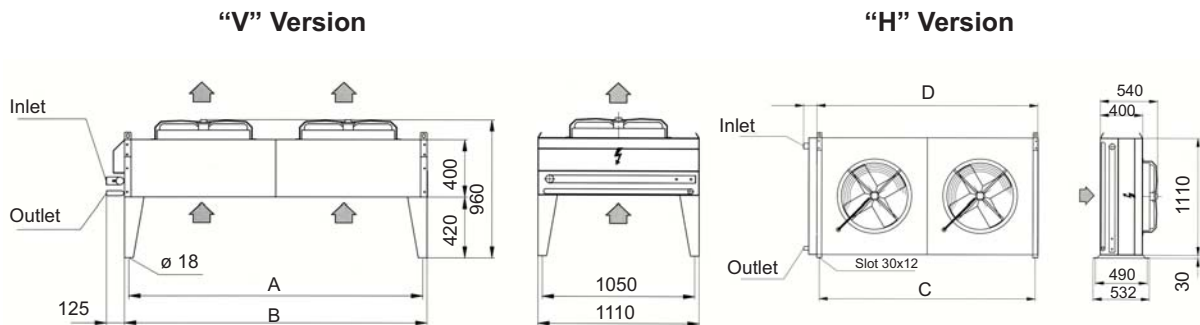


Fan motors  $\varnothing$  500



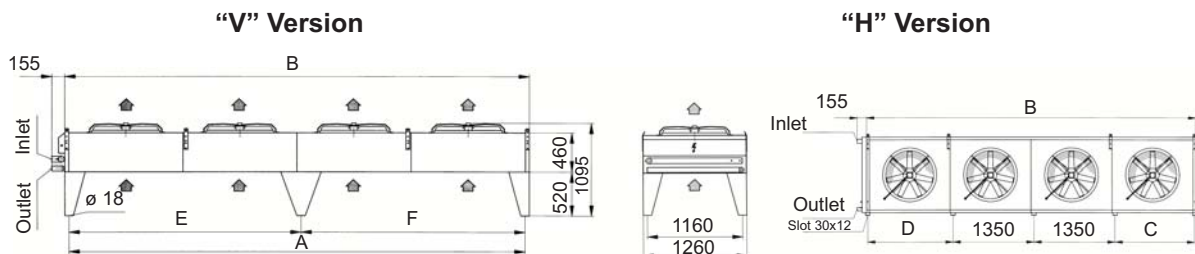
n. of fan motors $\varnothing$ 500			
Dimensions (mm) A	890	1770	2650
B	950	1830	2710
C	951	1795	2675

Fan motors  $\varnothing$  630



n. of fan motors $\varnothing$ 630				
Dimensions (mm) A	1030	2030	3030	4030
B	1090	2090	3090	4090
C	1045	2045	3045	4045
D	1090	2090	3090	4090

Fan motors  $\varnothing$  800



n° of fan motors $\varnothing$ 800			
Dimensions (mm) A	1340	2690	4040
B	1440	2790	4140
C	-	1325	1325
D	1395	1425	1425
E	-	-	1395
F	-	-	2645

n° of fan motors $\varnothing$ 800			
Dimensions (mm) A	5390	4040	5390
B	5490	4140	5490
C	1325	1325	1325
D	1425	1425	1425
E	2745	1395	2745
F	2645	2645	2645

(\*) = Composed Models

The detailed technical data concerning the cooling capacity, are contained in the specific catalogue of each range.