

AERO-EVAPORATORS

Applications: ambients with low and normal temperature;
Assembly: ceiling.

EU SERIES

Powers: from 900 to 60.000 Watt;
Airflow rate: from 600 to 30.900 m³/h
Main machine characteristics: *casing* in galvanized and plastic-coated sheet; industrial models painted with epoxide powders or embossed aluminium; *coils* in copper tubing (Ø 3/8" and Ø 1/2") and finning in aluminium; quiet high efficiency helicoidal *fans* regulated by pressure switch or speed regulator; electric *defrost* with immersed heaters in stainless steel, inserted in the coil; *point* for gas charge or manometer; inert gas *precharge*.

ZES SERIES

Powers: from 1300 to 6500Watt;
Airflow rate: from 950 to 4400m³/h
Main machine characteristics: *casing* in satined aluminium protected by transparent film; *conveyor* made from modular panels making all the front part accessible; *condensation tank* hinged and opportunely positioned for easy access; *outlet* at the back for easy coupling of the defrost element from the outside; *coils* in copper tubing (Ø 3/8" and Ø 1/2") and corrugated aluminium fins

ZEC SERIES

Powers: from 880 to 9.600 Watt;
Airflow rate: from 750 to 10.000 m³/h
SERIE ZEI
Powers: from 7.500 to 9600 Watt;
Airflow rate: from 4.800 to 57.600 m³/h;

Main machine characteristics: *casing* in satined aluminium protected by transparent film; *conveyor* made from modular panels making all the front part accessible; *condensation tank* hinged and opportunely positioned for easy access; *outlet* at the back for easy coupling of the defrost element from the outside; *coils* in copper tubing (Ø 3/8" and Ø 1/2") and corrugated aluminium fins.

ZED DOUBLE FLOW SERIES

Powers: from 1.800 to 8.500 Watt and with reduced flow from 1.500 to 7.200 Watt;
Airflow rate: from 1.450 to 9.300m³/h and with reduced flow from 1.100 to 7.200 m³/h;
SERIE ZEL
Powers: from 2.000 to 5.700 Watt;
Airflow rate: from 1.350 to 3.150 m³/h;

Main machine characteristics: *casing* in satined aluminium protected by transparent film; *conveyor* made from modular panels making all the front part accessible; *condensation tank* hinged and opportunely positioned for easy access; *outlet* at the back for easy coupling of the defrost element from the outside; *coils* in copper tubing (Ø 3/8" and Ø 1/2") and corrugated aluminium fins.



EU201/203



ZES



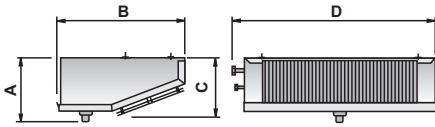
EU252/502



ZEC

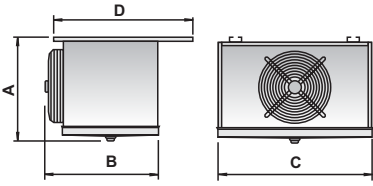


EU562

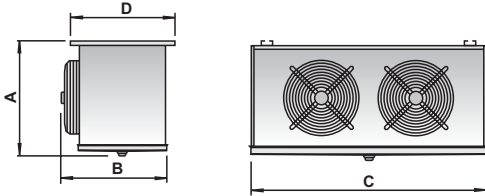


EU	201	202	203
A	215	215	215
B	410	410	410
C	195	195	195
D	654	1074	1654

MOD. ZES	2903	5703	8803	11803
	3707	7507	10207	10507
A	270	270	270	270
B	880	880	880	880
C	230	230	230	230
D	860	1410	1960	2510



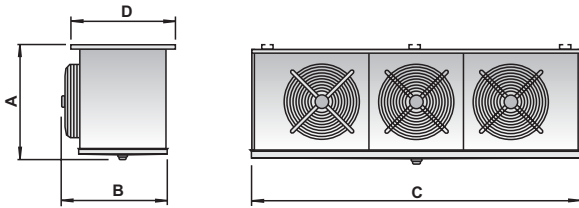
EU	351	451	501
A	545	715	715
B	520	771	771
C	805	1039	1189
D	690	950	780



EU	252	352	452	502
A	455	545	715	889
B	413	520	771	771
C	960	1165	1569	1769
D	560	690	780	780

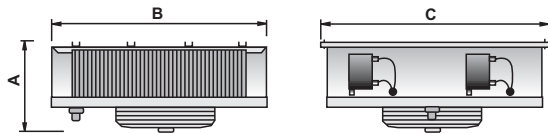
MOD. ZEC	2003	3903	5903	10603	8503	12803	17103	21303	25603
	2603	5303	7903	8606	7206	10906	14506	18106	21706
	1706	3406	5106	7008	6408	9608	12108	15908	19208
	2106	4306	6406						
	1508	2908	4408						
	1708	3508	5208						

A	395	395	395	395	460	460	460	460	460
B	479	479	479	479	579	579	579	579	579
C	680	1030	1380	1730	1230	1680	2130	2580	3030
D	500	500	500	500	550	550	550	550	550



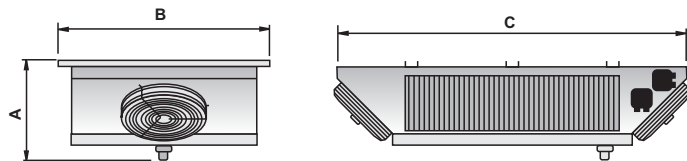
MOD. ZEI	1806	2606	3906	7206	6606	9806	13106
	13010	3606	5406	51010	48010	71010	19106
		19010	28010				95010
		25010	38010				137010

A	845	845	845	845	1020	1020	1020
B	755	755	755	755	909	909	909
C	1300	2150	3000	3850	2650	3750	4850
D	935	935	935	935	1070	1070	1070



MOD. ZED	3803	7303	11503	15303	19103	22903
	2807	5707	8507	11307	14107	17007

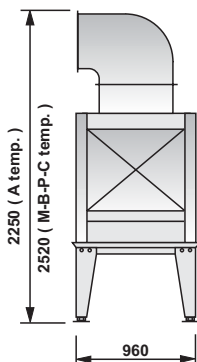
A	283	288	293	298	303	308
B	885	1435	1985	2535	3085	3635
C	860	860	860	860	860	860



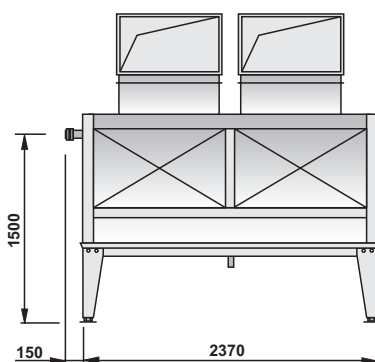
MOD. ZEL	4605	6405	10305	10805	15205
----------	------	------	-------	-------	-------

A	371	371	386	386	386
B	678	678	678	795	795
C	1740	2190	2640	3230	3230

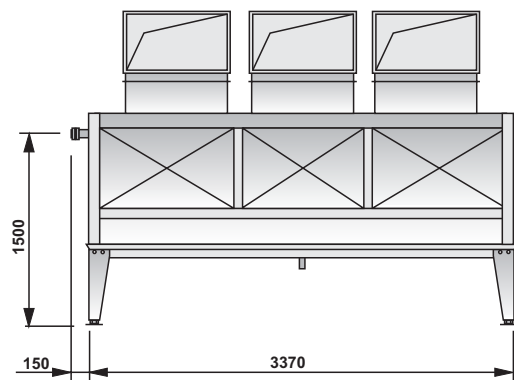
**EVAPORATING UNIT
562 - 563**



**EVAPORATING UNIT
562**



**EVAPORATING UNIT
563**



The detailed technical data concerning the cooling capacity, are contained in the specific catalogue of each range.